

[Home](#) ■ [Products](#) ■ [Micro Screening / Filtration](#) ■ [Microscreens](#) ■ [HUBER Drum Screen RoMesh®](#)

HUBER Drum Screen RoMesh®



Ultra fine Rotary Drum Screen with two-dimensional effect for very fine particulate material

- Removal of hairs, fibres and fine suspended material
- Service water and wash water treatment
- Defined separation size
- COD and BOD removal in river or sea outfall applications
- Protection of membrane filtration plants

Applications

- **Separation of hairs, fibres and suspended material from municipal and industrial wastewaters**

Preliminary separation of fine material is very important for Membrane Bioreactors, amongst other technologies, since such fine material can not only impair the plant's performance, but also cause major operational problems.

- **Reduction of COD/BOD₅ in river and sea outfalls**

Where river and sea outfalls have only a mechanical treatment stage, it is important to reduce the oxygen-consuming loads in the wastewater to avoid eutrophication of the receiving water. The RoMesh® Screen is able to reduce BOD₅ by 20% and filterable solids (AFS) by 50% and thus can meet the required discharge standard. Even better performance can be achieved with prior precipitation and flocculation.

Benefits

The benefits of the RoMesh® Screen

- The square mesh provides a defined separation size
- Low headloss
- Mechanical COD/BOD reduction by up to 30 %
- Filterable solids (AFS) reduction by up to 60 %
- Optional periodic high pressure cleaning (120 bar)
- Addition of precipitants and flocculants reduces AFS up to 95%, COD/BOD up to 65%, phosphorus up to 60%.
- Enclosed, compact design
- Very high hydraulic throughput

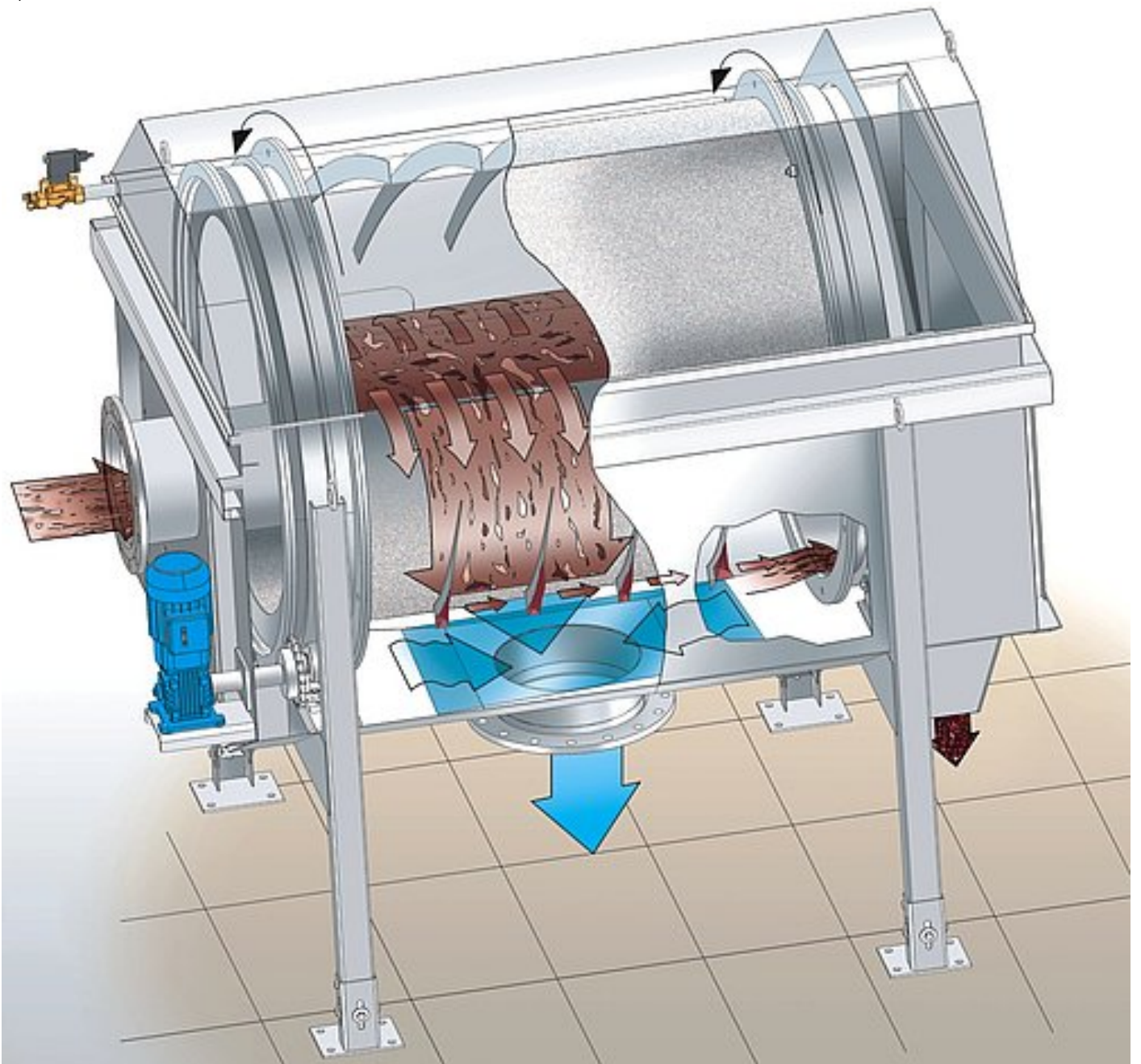
Downloads

 [Brochure: ROTAMAT® Rotary Drum Screen RoMesh®](#) [pdf, 299 KB]

Case Studies

- [HUBER applications in poultry slaughterhouse Süddeutsche Truthahn AG](#)
- [New plant in Switzerland for innovative sewer grit treatment with process water recycling](#)

Design Sketch



Media





Video: HUBER Drum Screen
RoMesh®

[https://www.youtube.com/watch?
v=nNstEvZA-24](https://www.youtube.com/watch?v=nNstEvZA-24)

More products of this group: Microscreens

- [HUBER Membrane Screen ROTAMAT® RoMem](#)
- [HUBER Drum Screen LIQUID](#)
- [HUBER Disc Filter RoDisc®](#)

HYDROFLUX
WATER | SCIENCE | TECHNOLOGY

Hydroflux Pty Ltd
Level 26, 44 Market St
Sydney NSW 2000
Australia

Phone +61 2 9089 8833
Fax +61 2 9089 8830
Email info@hydroflux.com.au
WWW www.huber-technology.net.au

Representative of the HUBER group:
www.huber.de