

[Home](#) ■ [Products](#) ■ [Screens and Fine Screens](#) ■ [Perforated Plate and Bar Screens](#) ■ [HUBER Belt Screen EscaMax®](#)

## HUBER Belt Screen EscaMax®



### Versatile inlet screen

- Excellent separation efficiency due to its perforations
- Reliable cleansing of the perforated plates with a rotating brush
- Very compact system with minimum space requirements
- Easy-to-retrofit into existing channels

The EscaMax® complements the well-known HUBER program for municipal and industrial wastewater screening, as it is particularly well suited in situations where excellent separation efficiency is required in deep channels with high water levels.

The sturdy EscaMax® screen is able to reliably cope with high amounts of gravel and grit. The two-dimensional screening elements prevent especially long fibres from passing through the screen and thus achieve the maximum separation efficiency.

Perforated screening elements provide superior separation efficiency in comparison with bar screening elements. It has been determined that two-dimensional perforations are better than one-dimensional bars.

Formation of screenings rolls is prevented by rake bars extending over the full width of the screen in combination with the screen's installation angle. Even cans and bottles are lifted by these rakes.

At their upper turning point the perforated plates are continuously cleaned by a fast counter-rotating brush which increases the cleaning energy and thus significantly improves the cleaning efficiency. Cleaning is supported by an integrated spray bar.

## Benefits

### THE BENEFITS OF THE ESCAMAX® SCREEN AT A GLANCE

- Excellent separation efficiency due travelling perforated plates
- Reliable cleansing of the perforated plates with a rotating brush
- No scraper roller for trough edge cleaning required
- All bearings are maintenance-free. All submerged bearings are wear-resistant ceramic bearings.
- Compact design with a low installation height above ground level
- Completely odour-encased screen with easy to remove covers
- Easy-to-retrofit into existing channels, installation without channel recesses possible
- The screen consists of a self-supporting folded stainless steel profile so that it can easily be lifted out of the channel.
- Not hindered by gravel or grit
- Simple and easy-to-access chain tensioning unit
- All machine components in contact with the medium are made of stainless steel and acid treated in a pickling bath (except chains, drives, bearings). As an option, the chains and chain wheels are available in stainless steel.

## Downloads

 [Brochure: HUBER Belt Screen EscaMax®](#) [pdf, 295 KB]

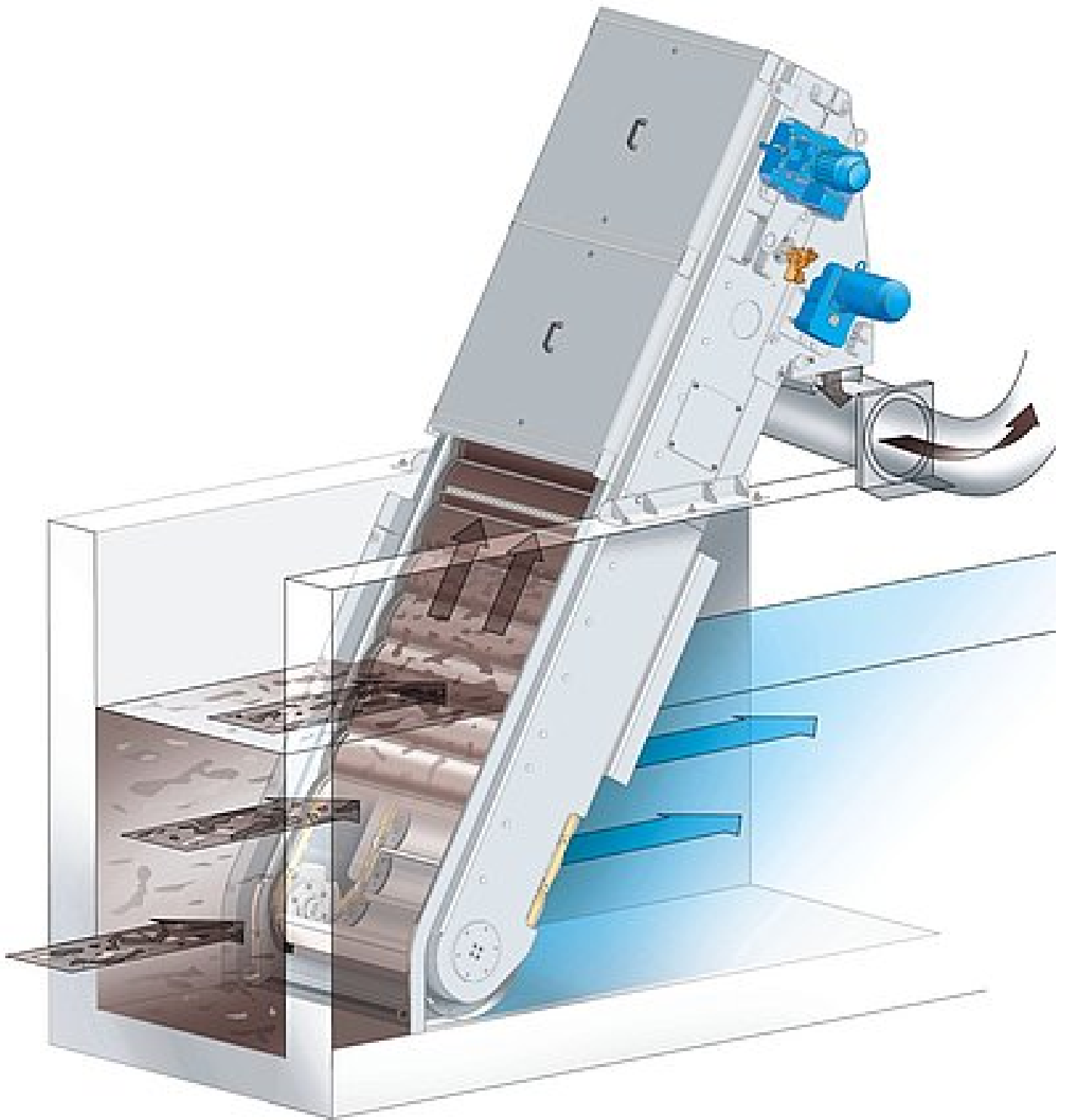
## Case Studies

- [A Wastewater Screening and Screenings Processing Case Study at WWTP Hull \(Saltend\)](#)
- [HUBER's EscaMax® Gives Greenville a Clean Start at the Headworks](#)
- [Perforated Screen Technology Gives City of Clinton WWTP Programmable Performance](#)
- [Case Study: Improvement of the Maer Lane STW Inlet Works](#)
- [Success in the South West for HUBER Technology](#)
- [Milford Haven STW - A Wastewater Case Study](#)
- [HUBER supplies the equipment for a major sewage treatment works in Berlin](#)
- [Huber Technology upgrades the Inlet works at Duncrue Street, Belfast - a Wastewater case Study](#)
- [Perforated Band Screens EscaMax® for Anglian Water](#)
- [Excellent 84% separation results due to the consequent further development of the EscaMax® Belt Screen](#)

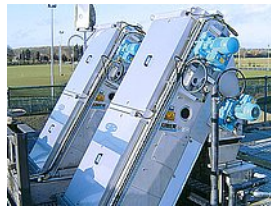
## Downloads

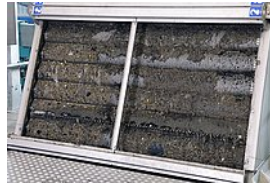
 [Brochure \(US\): HUBER Belt Screen EscaMax®](#) [pdf, 826 KB]

## Design Sketch



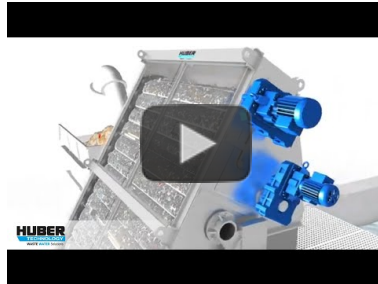
## Media





Video: HUBER Belt Screen  
EscaMax®

<https://www.youtube.com/watch?v=g-aczj1GDtY>



Animation: HUBER Belt Screen  
EscaMax®

[https://www.youtube.com/watch?v=o\\_W8bJZXIMY](https://www.youtube.com/watch?v=o_W8bJZXIMY)

## More products of this group: Perforated Plate and Bar Screens

- [HUBER Multi-Rake Bar Screen RakeMax®](#)
- [HUBER Multi-Rake Bar Screen RakeMax® HF \(high flow\)](#)
- [HUBER Multi-Rake Bar Screen RakeMax® CF](#)
- [HUBER Band Screen CenterMax®](#)
- [HUBER Coarse Screen TrashMax®](#)
- [HUBER Grab Screen TrashLift](#)

**HYDROFLUX**  
WATER | SCIENCE | TECHNOLOGY

**Hydroflux Pty Ltd**  
Level 26, 44 Market St  
Sydney NSW 2000  
Australia

Phone +61 2 9089 8833  
Fax +61 2 9089 8830  
Email [info@hydroflux.com.au](mailto:info@hydroflux.com.au)  
WWW [www.huber-technology.net.au](http://www.huber-technology.net.au)

Representative of the HUBER group:  
[www.huber.de](http://www.huber.de)